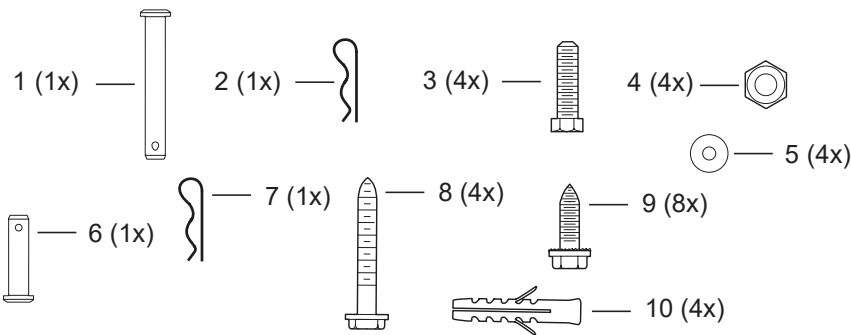


IMPORTANT



Please ensure this document is read before proceeding with the install set up of your Chamberlain opener

5 HARDWARE PROVIDED



- (1) Clevis pin 80 mm (*Section 13*)
- (2) R clip (*Sections 13*)
- (3) Hexagonal head screw (*Section 15 & 17*)
- (4) Nut M8 (*Section 15 & 17*)
- (5) Flat washer M8 (*Section 15 & 17*)
- (6) Clevis Pin (*Section 17*)
- (7) R clip (*Section 17*)
- (8) Screw ST6 x 50 mm (*Sections 12 & 15*)
- (9) Screw ST6,3 x 18 mm (*Sections 10 & 16*)
- (10) Wallplug 8mm (*Section 15*)

Below is the updated instructions for Section 10 in the instruction manual. Please follow the below and disregard Section 10 within the manual

10 FASTEN RAIL TO OPENER

1. Slide the RAIL BRACKET (1) onto the powerhead end of the rail (A) around 200mm.
2. Position the rail drive spocket (2) over the opener motorshaft (3) and push down to install.
3. Secure the rail on the opener with two C-Rail brackets (4) and the screws (5).
Note: Only use the 18mm Screws (item 9 in the Hardware Provided - Section 5)

This completes the assembly of the door opener to the rail.

